

NOVASONAR - Invisible loudspeaker

# GF-Series



<b>Power handling: 30 Watts</b>	
Dimensions: 500 mm x 625 mm	
<b>GF 30</b> (Ext. DSP recommended)	2
<b>GF 30 / PN</b> (Incl. frequency crossover)	3

<b>Power handling: 60 Watts</b>	
Dimensions: 500 mm x 625 mm	
<b>GF 60</b> (Ext. DSP recommended)	4
<b>GF 60 / PN</b> (Incl. frequency crossover)	5
<b>GF 60 Stereo</b> (Ext. DSP recommended)	6
<b>GF 60 Stereo / PN</b> (Incl. frequency crossover)	7

**PN = Integrated frequency crossover**

Please click on the products to open the respective **data specification sheet**

[www.novasonar.de](http://www.novasonar.de)

specification sheets

# NOVASONAR GF 30

Invisible sound system for coverings made of gypsum fibre boards



**Building material and the sound system from a single production source**



## Available in the following gypsum fibre boards

Standard version: Gypsum fibre board 12,5 mm  
Special executions: Gypsum fibre boards in all usual versions

## Description / Technical data

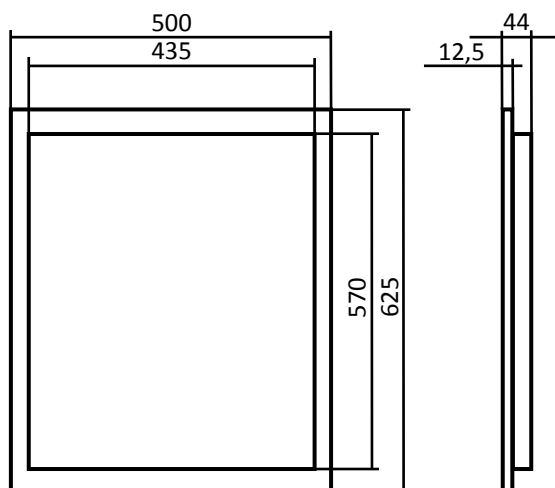
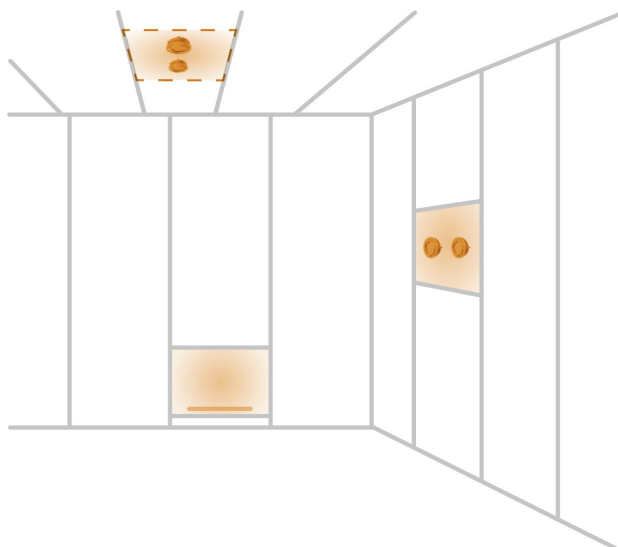
Flat-panel loudspeaker on the principle of the bending wave transducer with a flat panel membrane, which is brought to vibration by electrical exciters mounted to the back.

The loudspeaker comprises a conventional gypsum fibre board with a factory-integrated flat-panel loudspeaker. The board is stripped down to a minimum thickness on the back in the area of the loudspeaker membrane by means of milling and thus causes sound-neutrality.

Materials and assembly do not differ from other construction materials used and as a result, there are no „alien bodies“ in the drywall.

Factory integration of the flat-panel loudspeaker in the building material precludes any errors in installation and guarantees continuously assembly and processing technology in drywall work without material change, therefore ensuring smooth progress on the building site.

The surface can be coated with all conventional materials, such as, for example, paint, plaster techniques, wallpapers, etc.



Dimensions (standard): 500 mm x 625 mm  
Building material: Gypsum fibre board  
Frequency response: 80 Hz – 20000 Hz  
EQ: External  
Dispersion: 180° x 180°  
Power handling: 30 W / 8 Ω  
Optional: 70/100 V  
Sensitivity: 78 dB (1 w / 1 m)  
Max. SPL: 93 dB (1 m)

Manufacturer: ML-Audio und Carbons GmbH  
Model: Novasonar GF 30

[Back to contents](#)

All products subject to technical modification without prior notice. Errors excepted.

# NOVASONAR GF 30 / PN

Invisible sound system for coverings made of gypsum fibre boards



Building material and the sound system from a single production source



## Available in the following gypsum fibre boards

Standard version:	Gypsum fibre board 12,5 mm
Special executions:	Gypsum fibre boards in all usual versions

## Description / Technical data

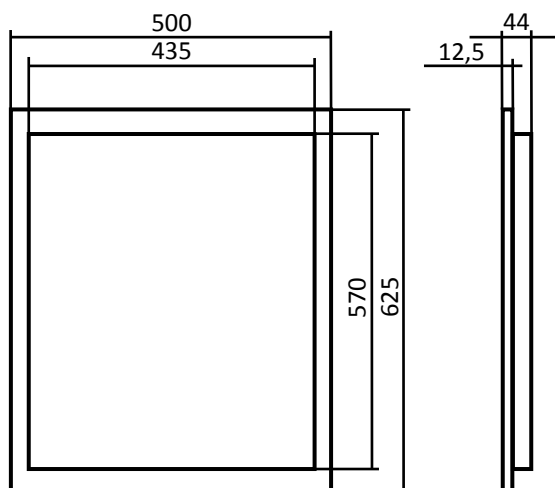
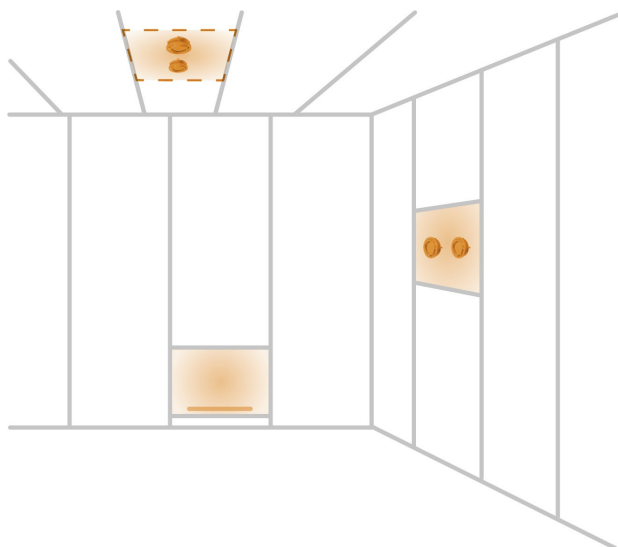
Flat-panel loudspeaker on the principle of the bending wave transducer with a flat panel membrane, which is brought to vibration by electrical exciters mounted to the back and with an integrated frequency crossover/filter.

The loudspeaker comprises a conventional gypsum fibre board with a factory-integrated flat-panel loudspeaker. The board is stripped down to a minimum thickness on the back in the area of the loudspeaker membrane by means of milling and thus causes sound-neutrality.

Materials and assembly do not differ from other construction materials used and as a result, there are no „alien bodies“ in the drywall.

Factory integration of the flat-panel loudspeaker in the building material precludes any errors in installation and guarantees continuously assembly and processing technology in drywall work without material change, therefore ensuring smooth progress on the building site.

The surface can be coated with all conventional materials, such as, for example, paint, plaster techniques, wallpapers, etc.



Dimensions (standard):	500 mm x 625 mm
Building material:	Gypsum fibre board
Frequency response:	80 Hz – 20000 Hz
EQ:	PN-integrated crossover
Dispersion:	180° x 180°
Power handling:	30 W / 8 Ω
Optional:	70/100 V
Sensitivity:	78 dB (1 w / 1 m)
Max. SPL:	93 dB (1 m)

Manufacturer:	ML-Audio und Carbons GmbH
Model:	Novasonar GF 30 / PN

[Back to contents](#)

All products subject to technical modification without prior notice. Errors excepted.

# NOVASONAR GF 60

Invisible sound system for coverings made of gypsum fibre boards



**Building material and the sound system from a single production source**



## Available in the following gypsum fibre boards

Standard version: Gypsum fibre board 12,5 mm  
Special executions: Gypsum fibre boards in all usual versions

## Description / Technical data

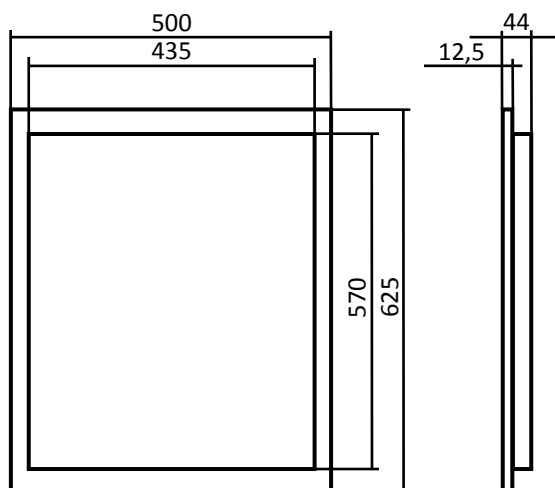
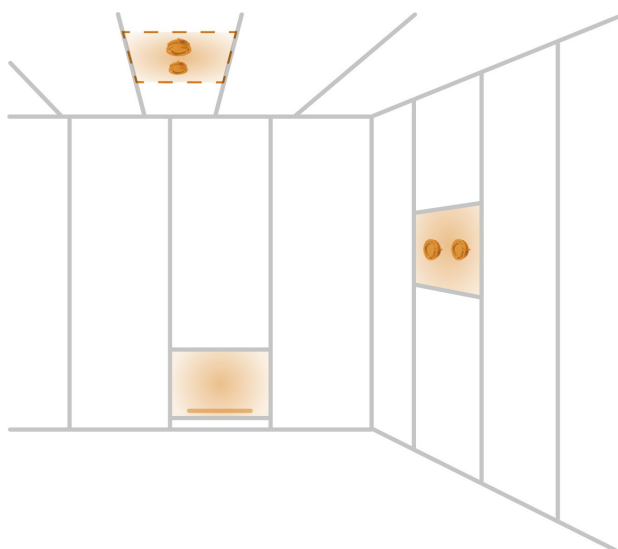
Flat-panel loudspeaker on the principle of the bending wave transducer with a flat panel membrane, which is brought to vibration by electrical exciters mounted to the back.

The loudspeaker comprises a conventional gypsum fibre board with a factory-integrated flat-panel loudspeaker. The board is stripped down to a minimum thickness on the back in the area of the loudspeaker membrane by means of milling and thus causes sound-neutrality.

Materials and assembly do not differ from other construction materials used and as a result, there are no „alien bodies“ in the drywall.

Factory integration of the flat-panel loudspeaker in the building material precludes any errors in installation and guarantees continuously assembly and processing technology in drywall work without material change, therefore ensuring smooth progress on the building site.

The surface can be coated with all conventional materials, such as, for example, paint, plaster techniques, wallpapers, etc.



Dimensions (standard): 500 mm x 625 mm  
Building material: Gypsum fibre board  
Frequency response: 80 Hz – 20000 Hz  
EQ: External  
Dispersion: 180° x 180°  
Power handling: 60 W / 4 Ω (Optional 16 Ω)  
Optional: 70/100 V  
Sensitivity: 81 dB (1 w / 1 m)  
Max. SPL: 99 dB (1 m)

Manufacturer: ML-Audio und Carbons GmbH  
Model: Novasonar GF 60

[Back to contents](#)

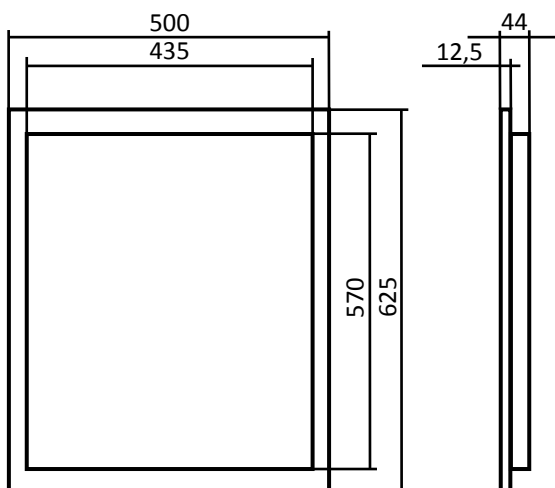
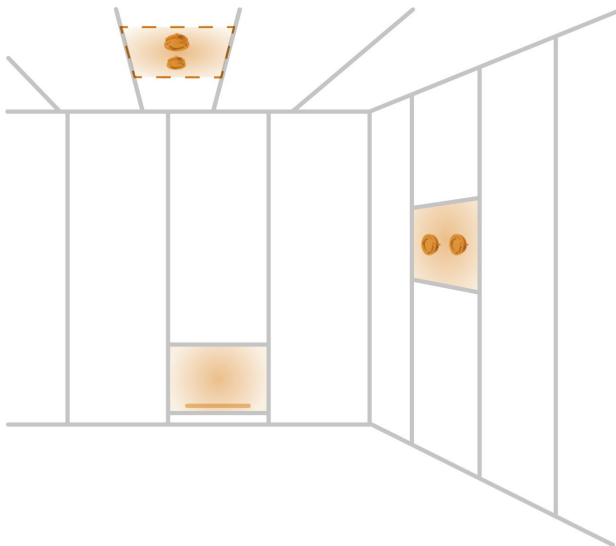
All products subject to technical modification without prior notice. Errors excepted.

# NOVASONAR GF 60 / PN

Invisible sound system for coverings made of gypsum fibre boards



Building material and the sound system from a single production source



## Available in the following gypsum fibre boards

Standard version:	Gypsum fibre board 12,5 mm
Special executions:	Gypsum fibre boards in all usual versions

## Description / Technical data

Flat-panel loudspeaker on the principle of the bending wave transducer with a flat panel membrane, which is brought to vibration by electrical exciters mounted to the back and with an integrated frequency crossover/filter.

The loudspeaker comprises a conventional gypsum fibre board with a factory-integrated flat-panel loudspeaker. The board is stripped down to a minimum thickness on the back in the area of the loudspeaker membrane by means of milling and thus causes sound-neutrality.

Materials and assembly do not differ from other construction materials used and as a result, there are no „alien bodies“ in the drywall.

Factory integration of the flat-panel loudspeaker in the building material precludes any errors in installation and guarantees continuously assembly and processing technology in drywall work without material change, therefore ensuring smooth progress on the building site.

The surface can be coated with all conventional materials, such as, for example, paint, plaster techniques, wallpapers, etc.

Dimensions (standard):	500 mm x 625 mm
Building material:	Gypsum fibre board
Frequency response:	80 Hz – 20000 Hz
EQ:	PN-integrated crossover
Dispersion:	180° x 180°
Power handling:	60 W / 4 Ω
Optional:	70/100 V
Sensitivity:	81 dB (1 w / 1 m)
Max. SPL:	99 dB (1 m)

Manufacturer:	ML-Audio und Carbons GmbH
Model:	Novasonar GF 60 / PN

# NOVASONAR GF 60 Stereo

Invisible sound system for coverings made of gypsum fibre boards



**Building material and the sound system from a single production source**



## Available in the following gypsum fibre boards

Standard version: Gypsum fibre board 12,5 mm  
Special executions: Gypsum fibre boards in all usual versions

## Description / Technical data

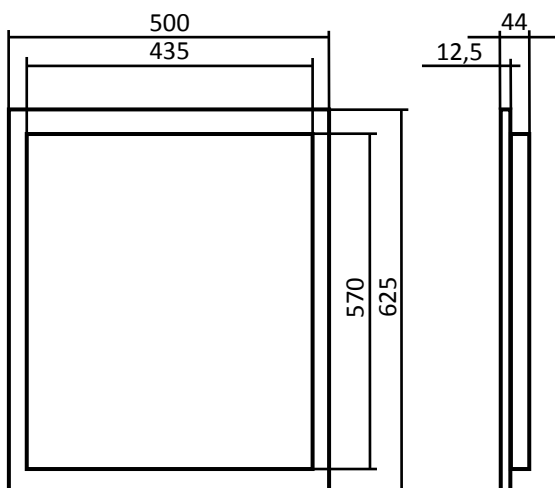
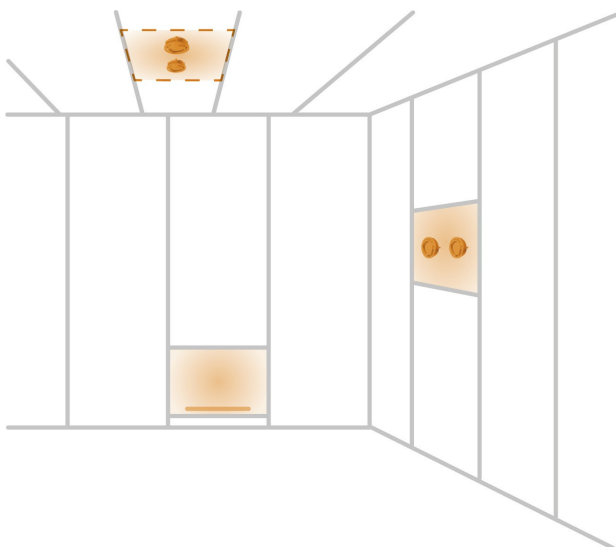
Flat-panel loudspeaker on the principle of the bending wave transducer with a flat panel membrane, which is brought to vibration by electrical exciters mounted to the back and dual channel input for stereo applications.

The loudspeaker comprises a conventional gypsum fibre board with a factory-integrated flat-panel loudspeaker. The board is stripped down to a minimum thickness on the back in the area of the loudspeaker membrane by means of milling and thus causes sound-neutrality.

Materials and assembly do not differ from other construction materials used and as a result, there are no „alien bodies“ in the drywall.

Factory integration of the flat-panel loudspeaker in the building material precludes any errors in installation and guarantees continuously assembly and processing technology in drywall work without material change, therefore ensuring smooth progress on the building site.

The surface can be coated with all conventional materials, such as, for example, paint, plaster techniques, wallpapers, etc.



Dimensions (standard): 500 mm x 625 mm  
Building material: Gypsum fibre board  
Frequency response: 80 Hz – 20000 Hz  
EQ: External  
Dispersion: 180° x 180°  
Power handling: 2 x 30 W / 2 x 8 Ω  
Optional: 70/100 V  
Sensitivity: 81 dB (1 w / 1 m)  
Max. SPL: 99 dB (1 m)

Manufacturer: ML-Audio und Carbons GmbH  
Model: Novasonar GF 60 Stereo

[Back to contents](#)

All products subject to technical modification without prior notice. Errors excepted.

# NOVASONAR GF 60 Stereo / PN

Invisible sound system for coverings made of gypsum fibre boards



Building material and the sound system from a single production source



## Available in the following gypsum fibre boards

Standard version: Gypsum fibre board 12,5 mm  
Special executions: Gypsum fibre boards in all usual versions

## Description / Technical data

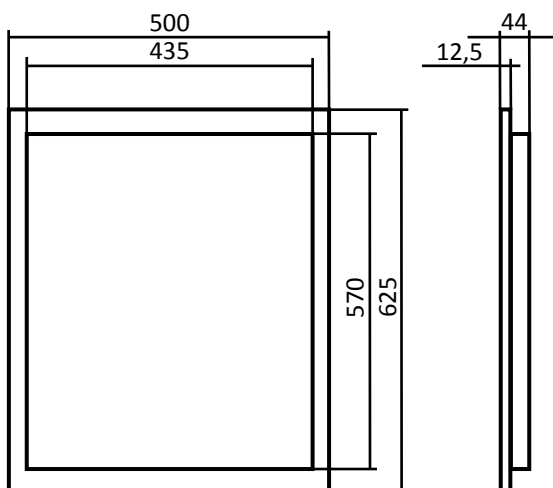
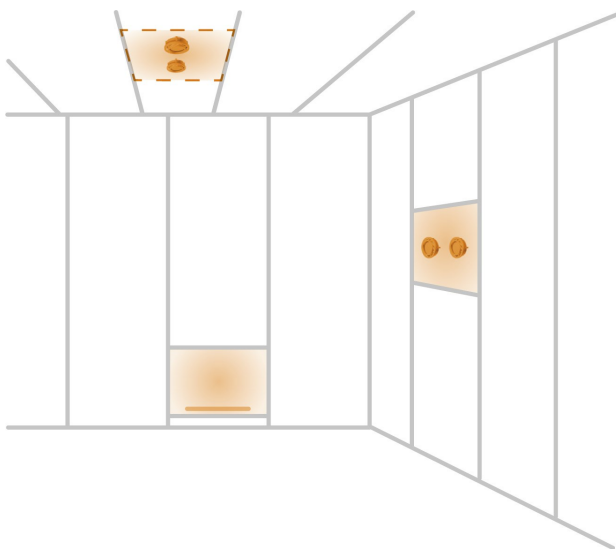
Flat-panel loudspeaker on the principle of the bending wave transducer with a flat panel membrane, which is brought to vibration by electrical exciters mounted to the back and with two integrated frequency crossovers/filters for dual channel input for stereo applications.

The loudspeaker comprises a conventional gypsum fibre board with a factory-integrated flat-panel loudspeaker. The board is stripped down to a minimum thickness on the back in the area of the loudspeaker membrane by means of milling and thus causes sound-neutrality.

Materials and assembly do not differ from other construction materials used and as a result, there are no „alien bodies“ in the drywall.

Factory integration of the flat-panel loudspeaker in the building material precludes any errors in installation and guarantees continuously assembly and processing technology in drywall work without material change, therefore ensuring smooth progress on the building site.

The surface can be coated with all conventional materials, such as, for example, paint, plaster techniques, wallpapers, etc.



Dimensions (standard): 500 mm x 625 mm  
Building material: Gypsum fibre board  
Frequency response: 80 Hz – 20000 Hz  
EQ: PN-integrated crossovers  
Dispersion: 180° x 180°  
Power handling: 2 x 30 W / 2 x 8 Ω  
Optional: 70/100 V  
Sensitivity: 81 dB (1 w / 1 m)  
Max. SPL: 99 dB (1 m)

Manufacturer: ML-Audio und Carbons GmbH  
Model: Novasonar GF 60 Stereo / PN

[Back to contents](#)

All products subject to technical modification without prior notice. Errors excepted.

# NOVASONAR Invisible Sound System

WITH THE INTELLIGENT INTEGRATION CONCEPT FOR A PERFECT INSTALLATION



## **ML-Audio und Carbons GmbH**

Lautsprechertechnik

Am Hemel 2 A

55124 Mainz

Germany

Tel. +49 6 131 60 30 723

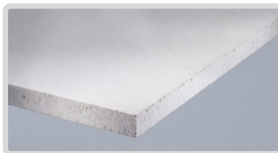
Fax +49 6 131 60 30 796

Email: [info@mlaudio.de](mailto:info@mlaudio.de)

[Back to contents](#)

Data sheets valid from 2019/09/01





## GF-Series

For drywall coverings made of gypsum fiber boards



NOVASONAR - Invisible loudspeaker

## GF-Series



### Power handling: 30 Watts

Dimensions: 500 mm x 625 mm

**GF 30** (Ext. DSP recommended)

**GF 30 / PN** (Incl. frequency crossover)

### Power handling: 60 Watts

Dimensions: 500 mm x 625 mm

**GF 60** (Ext. DSP recommended)

**GF 60 / PN** (Incl. frequency crossover)

**GF 60 Stereo** (Ext. DSP recommended)

**GF 60 Stereo / PN** (Incl. frequency crossover)

**PN = Integrated frequency crossover**

**Available in all usual gypsum fiber boards**

[www.novasonar.de](http://www.novasonar.de)

Product overview